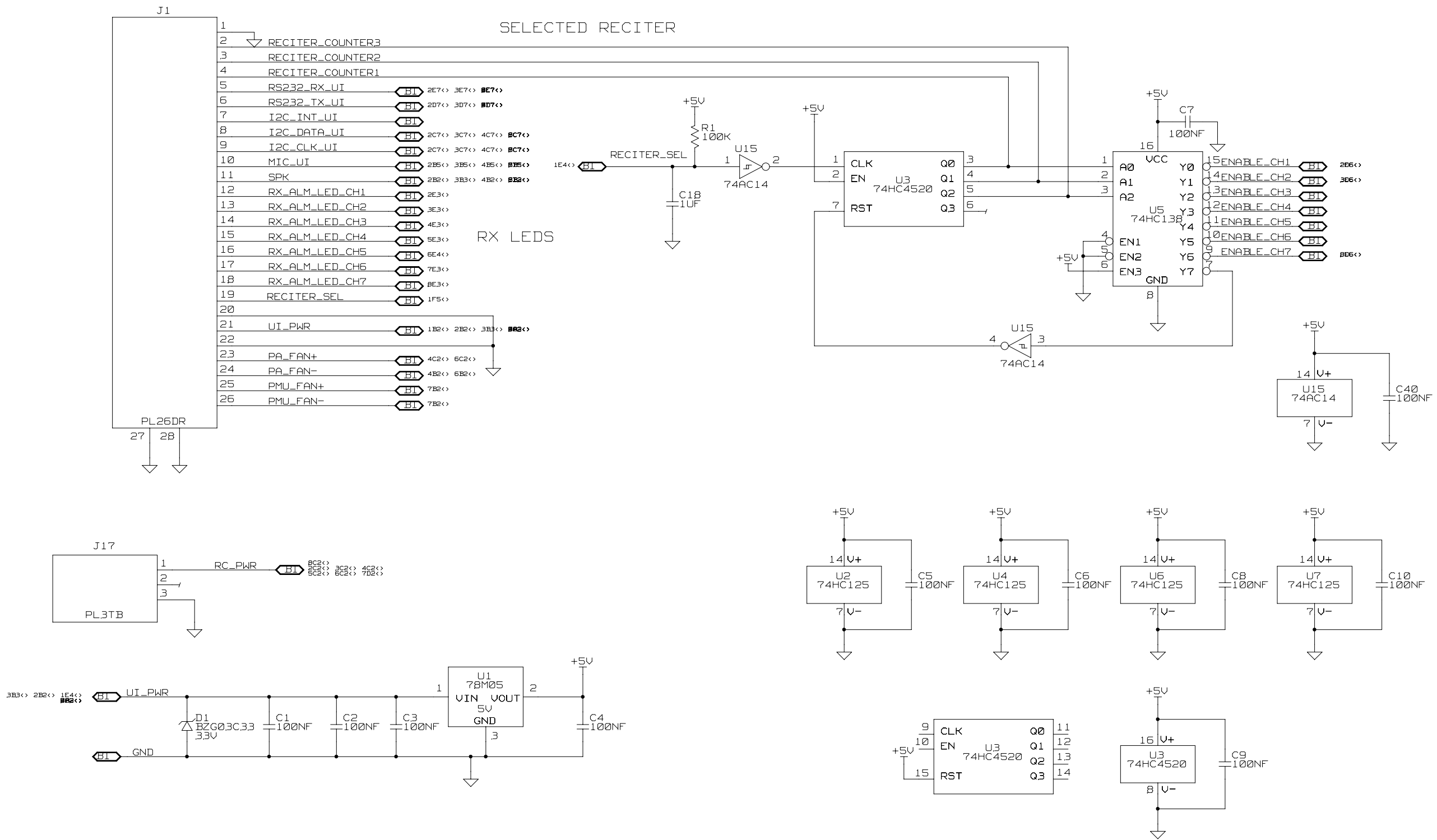


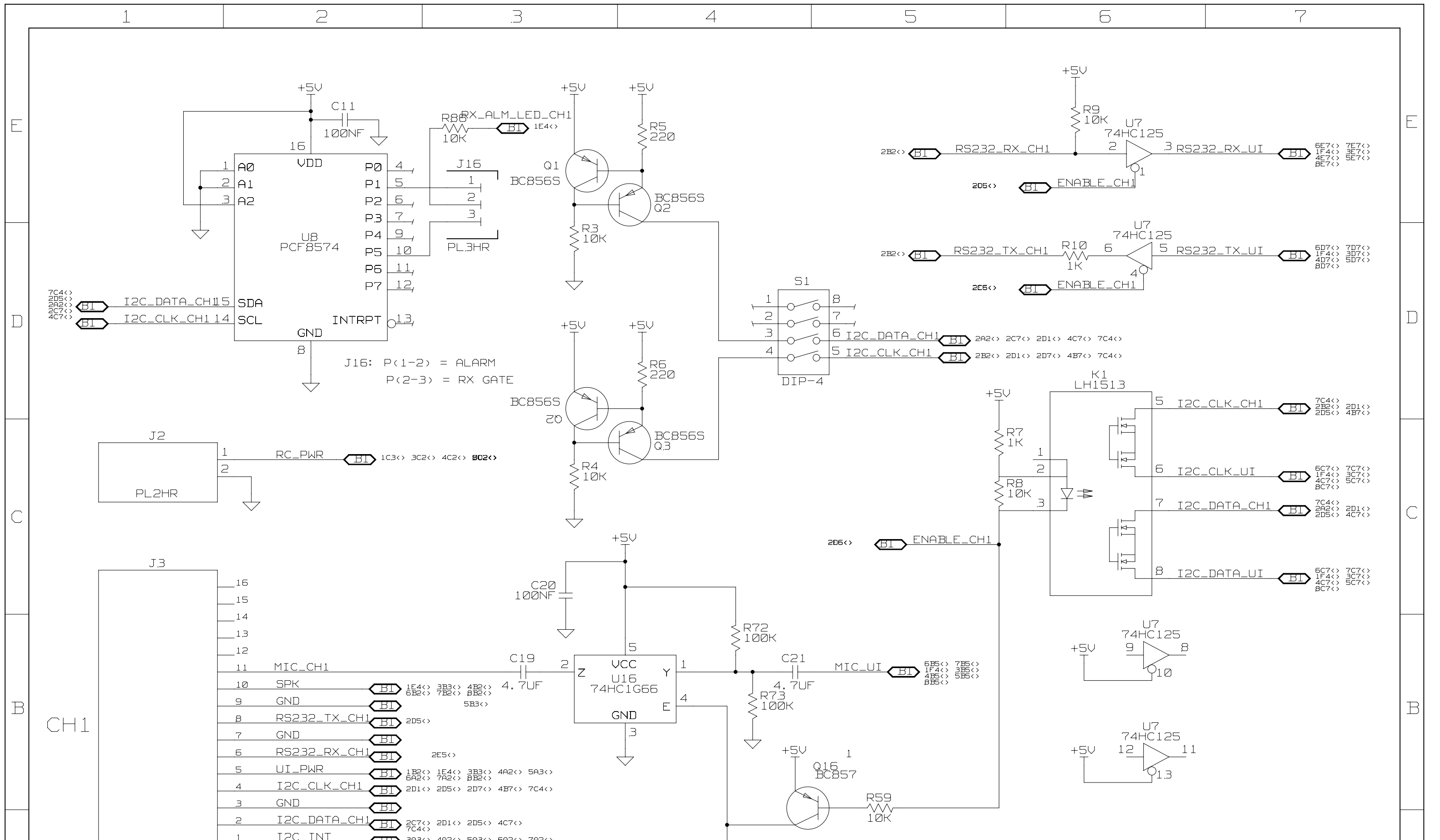
CONTROL PANEL



|         |   |         |         |        |        |          |
|---------|---|---------|---------|--------|--------|----------|
| 05A     | SEE 220-02129-05_DCO.DOC IN DOCS FOLDER | STEVE C | CHRIS K | DAVE E | GREG S | 24/10/06 |
| 04A     | SEE 220-02129-04_DCO.DOC IN DOCS FOLDER | EDWIN T | CHRIS K | DAVE E | GREG S | 19/07/06 |
| 03A     | SEE 220-02129-03_DCO.DOC IN DOCS FOLDER | EDWIN T | CHRIS K | DAVE E | GREG S | 23/02/06 |
| 02A     | SEE 220-02129-01_DCO.DOC IN DOCS FOLDER | EDWIN T | CHRIS K | DAVE E | GREG S | 01/02/06 |
| 01      | NEW BOARD                               |         |         |        |        |          |
| REV/ISS | AMENDMENTS                              | DRAWN   | CHKD    | D. O.  | APVD   | DATE     |

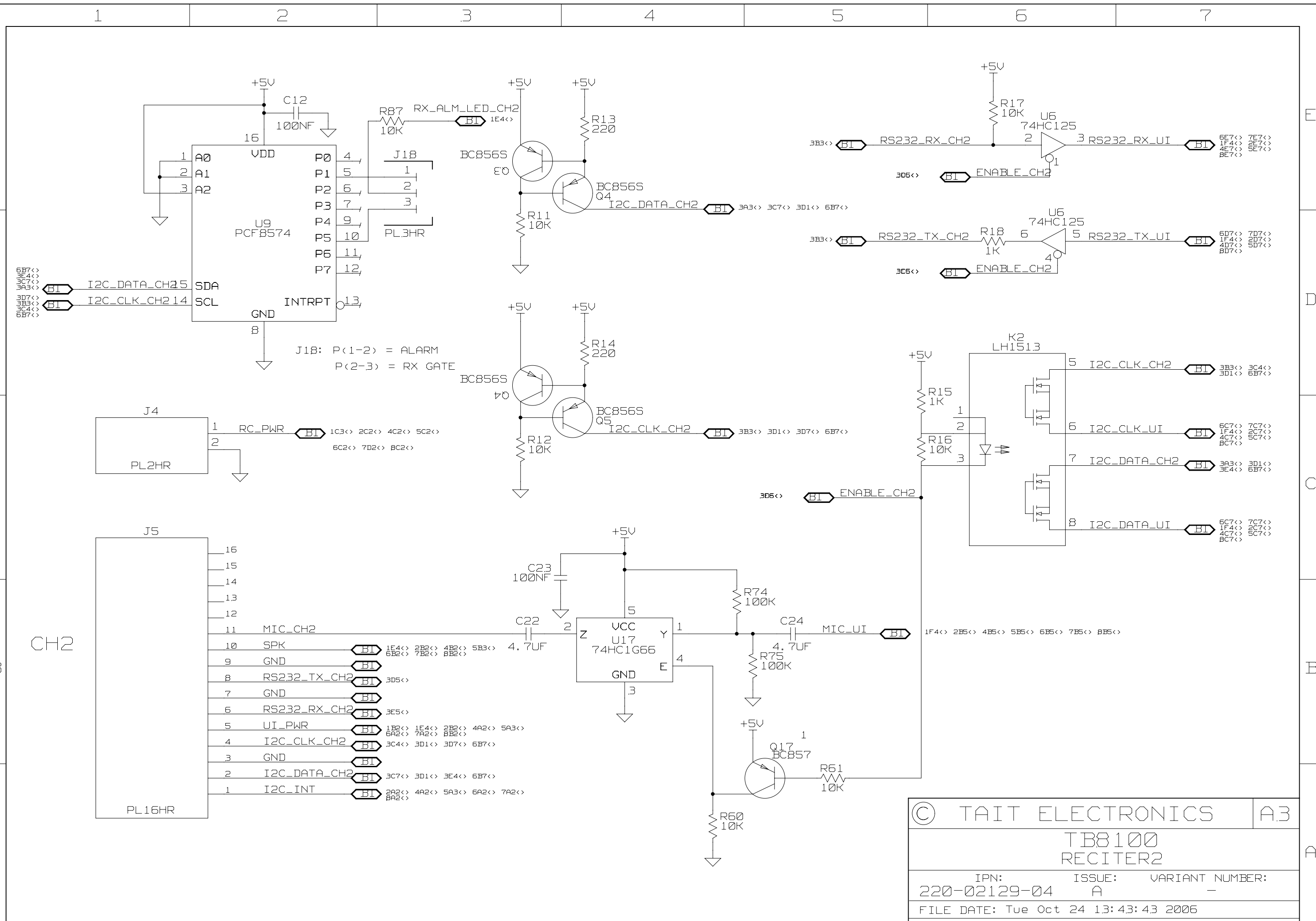
BADMARK  
BADMARK

|                                     |            |                 |
|-------------------------------------|------------|-----------------|
| © TAIT ELECTRONICS                  |            | A2              |
| TB8100                              |            |                 |
| MULTI RECITER RACK INTERFACE        |            |                 |
| IPN:                                | ISSUE:     | VARIANT NUMBER: |
| 220-02129-04                        | A          | -               |
| FILE DATE: Tue Oct 24 13:54:51 2006 |            |                 |
| ENGINEER:                           | FILE NAME: | SHEET NUMBER:   |
| ALTON C                             | 220_02129  | 1 OF 8          |



|                                     |                         |                         |
|-------------------------------------|-------------------------|-------------------------|
| © TAIT ELECTRONICS                  |                         | A.3                     |
| TB8100<br>RECITER1                  |                         |                         |
| IPN:<br>220-02129-04                | ISSUE:<br>A             | VARIANT NUMBER:<br>-    |
| FILE DATE: Tue Oct 24 13:43:15 2006 |                         |                         |
| ENGINEER:<br>ALTON C                | FILE NAME:<br>220_02129 | SHEET NUMBER:<br>2 OF 8 |

| REV/ISS | AMENDMENTS | DRAWN | CHKD | D.O. | APVD | DATE |
|---------|------------|-------|------|------|------|------|
| 1       | 2          | 3     | 4    | 5    | 6    | 7    |

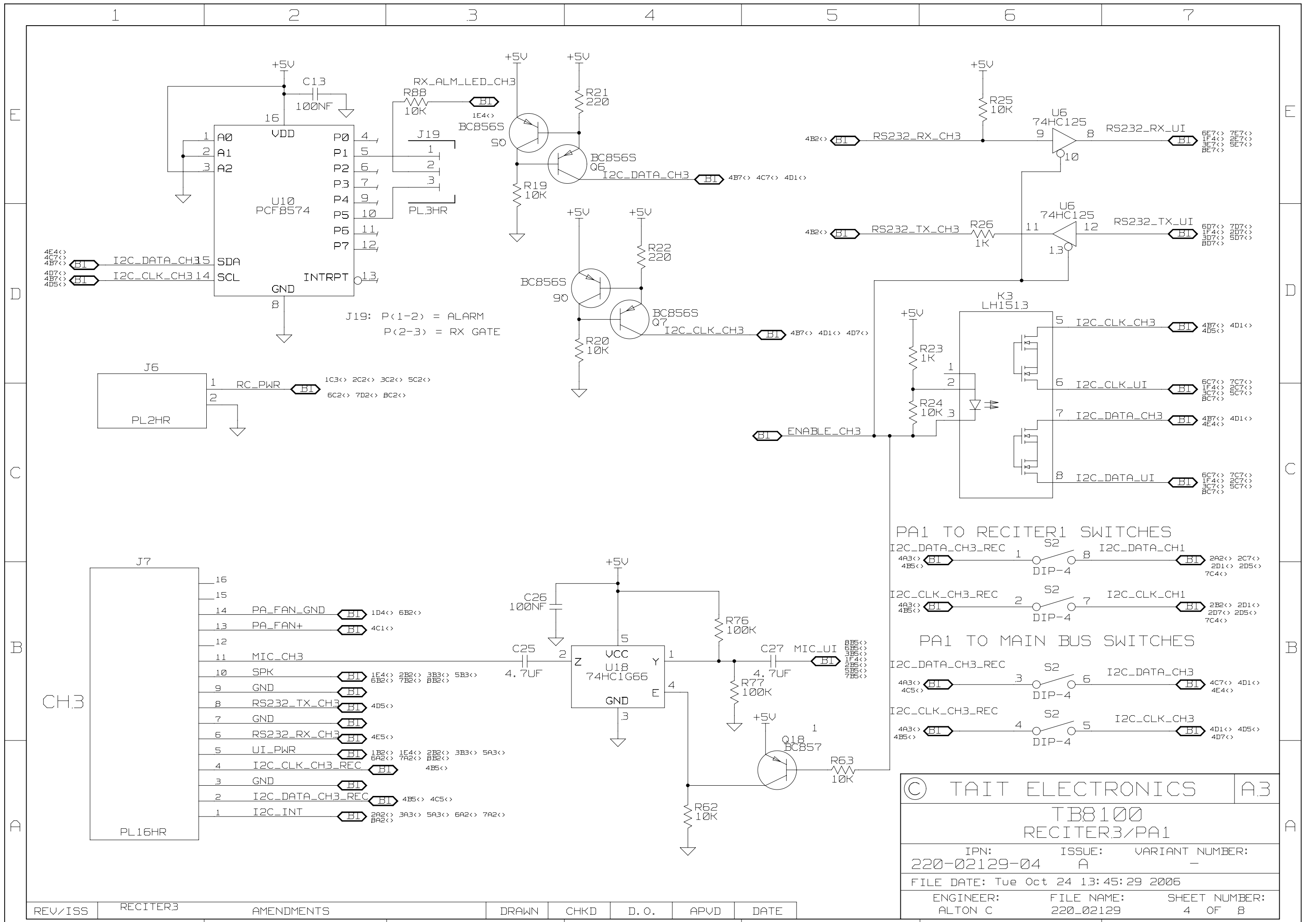


J18: P(1-2) = ALARM  
P(2-3) = RX GATE

CH2

|                                     |                         |                         |
|-------------------------------------|-------------------------|-------------------------|
| © TAIT ELECTRONICS                  |                         | A.3                     |
| TB8100<br>RECITER2                  |                         |                         |
| IPN:<br>220-02129-04                | ISSUE:<br>A             | VARIANT NUMBER:<br>-    |
| FILE DATE: Tue Oct 24 13:43:43 2006 |                         |                         |
| ENGINEER:<br>ALTON C                | FILE NAME:<br>220_02129 | SHEET NUMBER:<br>3 OF 8 |

| REV/ISS | AMENDMENTS | DRAWN | CHKD | D. O. | APVD | DATE |
|---------|------------|-------|------|-------|------|------|
| 1       | RECITER2   |       |      |       |      |      |



PA1 TO RECITER1 SWITCHES

I2C\_DATA\_CH3\_REC 1 S2 I2C\_DATA\_CH1 2A2<> 2C7<>  
 4A3<> 4B5<> 2D1<> 2D5<>  
 DIP-4 7C4<>

I2C\_CLK\_CH3\_REC 2 S2 I2C\_CLK\_CH1 2B2<> 2D1<>  
 4A3<> 4B5<> 2D7<> 2D5<>  
 DIP-4 7C4<>

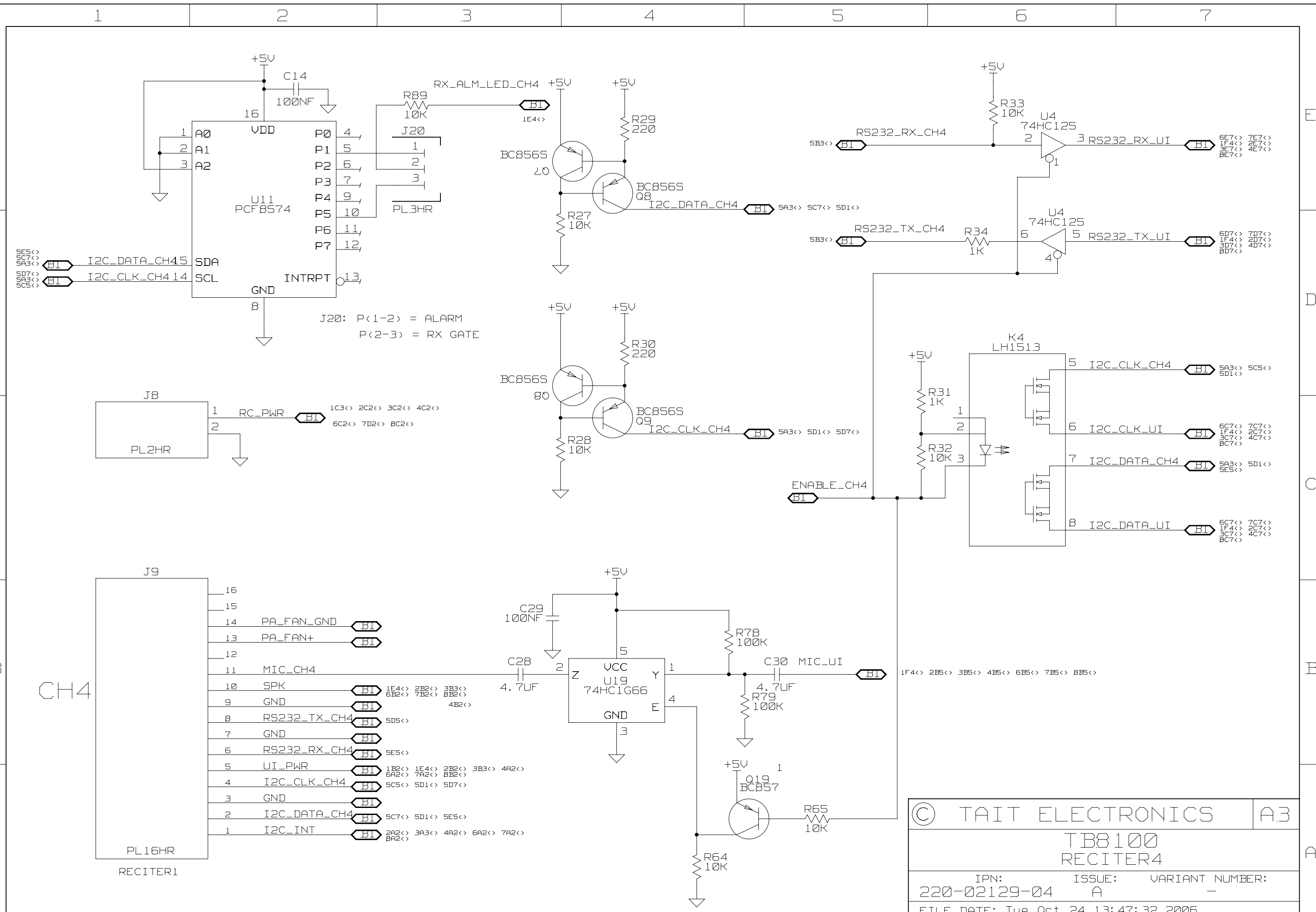
PA1 TO MAIN BUS SWITCHES

I2C\_DATA\_CH3\_REC 3 S2 I2C\_DATA\_CH3 4C7<> 4D1<>  
 4A3<> 4C5<> 4E4<>

I2C\_CLK\_CH3\_REC 4 S2 I2C\_CLK\_CH3 4D1<> 4D5<>  
 4A3<> 4B5<> 4D7<>

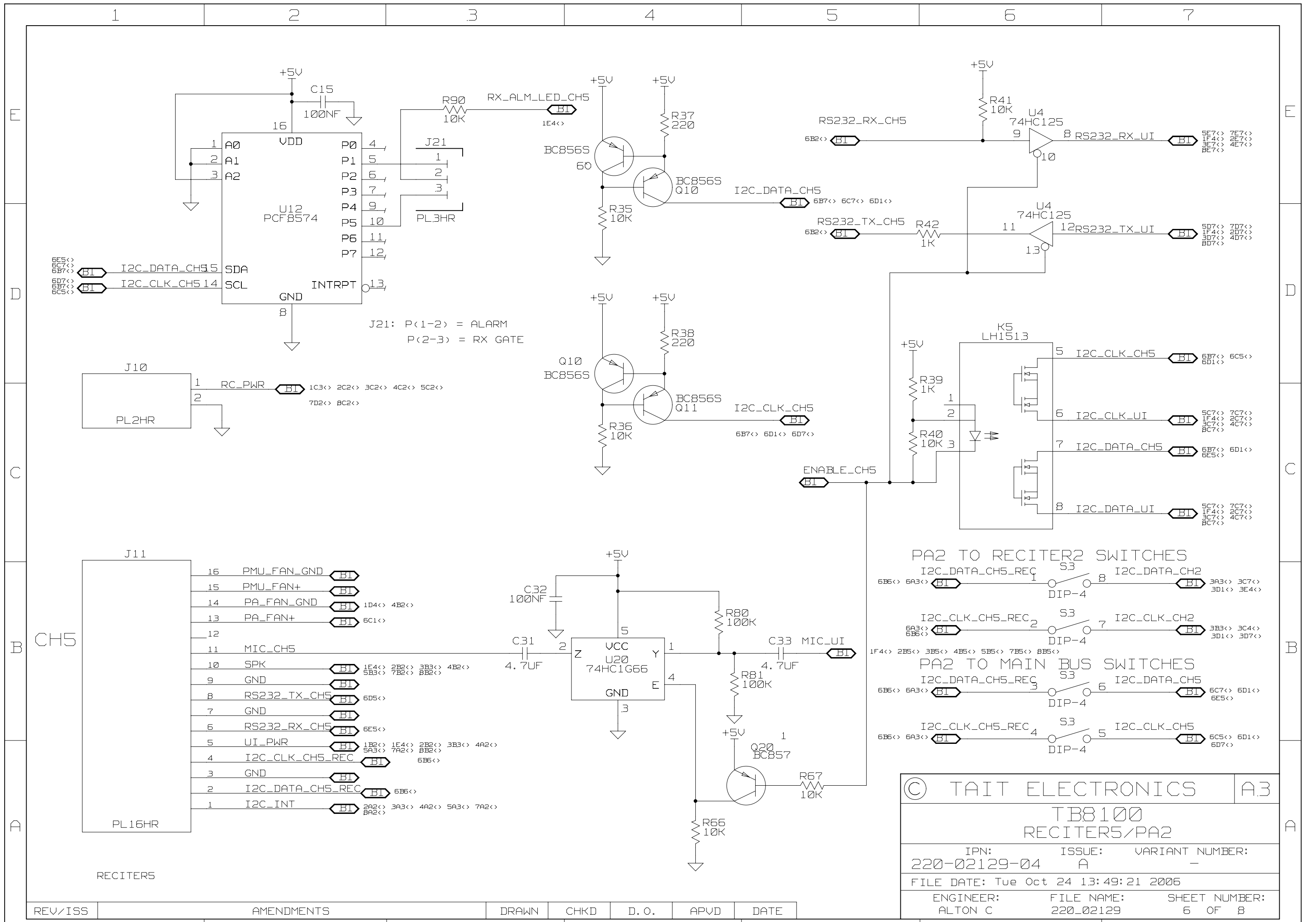
|                                     |                         |                         |
|-------------------------------------|-------------------------|-------------------------|
| © TAIT ELECTRONICS                  |                         | A.3                     |
| TBB100<br>RECITER3/PA1              |                         |                         |
| IPN:<br>220-02129-04                | ISSUE:<br>A             | VARIANT NUMBER:<br>-    |
| FILE DATE: Tue Oct 24 13:45:29 2006 |                         |                         |
| ENGINEER:<br>ALTON C                | FILE NAME:<br>220_02129 | SHEET NUMBER:<br>4 OF 8 |

| REV/ISS | RECITER3 | AMENDMENTS | DRAWN | CHKD | D.O. | APVD | DATE |
|---------|----------|------------|-------|------|------|------|------|
| 1       | 1        | 2          | 3     | 4    | 5    | 6    | 7    |



|                                     |                         |                         |
|-------------------------------------|-------------------------|-------------------------|
| © TAIT ELECTRONICS                  |                         | A.3                     |
| TBB100<br>RECITER4                  |                         |                         |
| IPN:<br>220-02129-04                | ISSUE:<br>A             | VARIANT NUMBER:<br>-    |
| FILE DATE: Tue Oct 24 13:47:32 2006 |                         |                         |
| ENGINEER:<br>ALTON C                | FILE NAME:<br>220_02129 | SHEET NUMBER:<br>5 OF 8 |

| REV/ISS | AMENDMENTS | DRAWN | CHKD | D. O. | APVD | DATE |
|---------|------------|-------|------|-------|------|------|
| 1       | 2          | 3     | 4    | 5     | 6    | 7    |



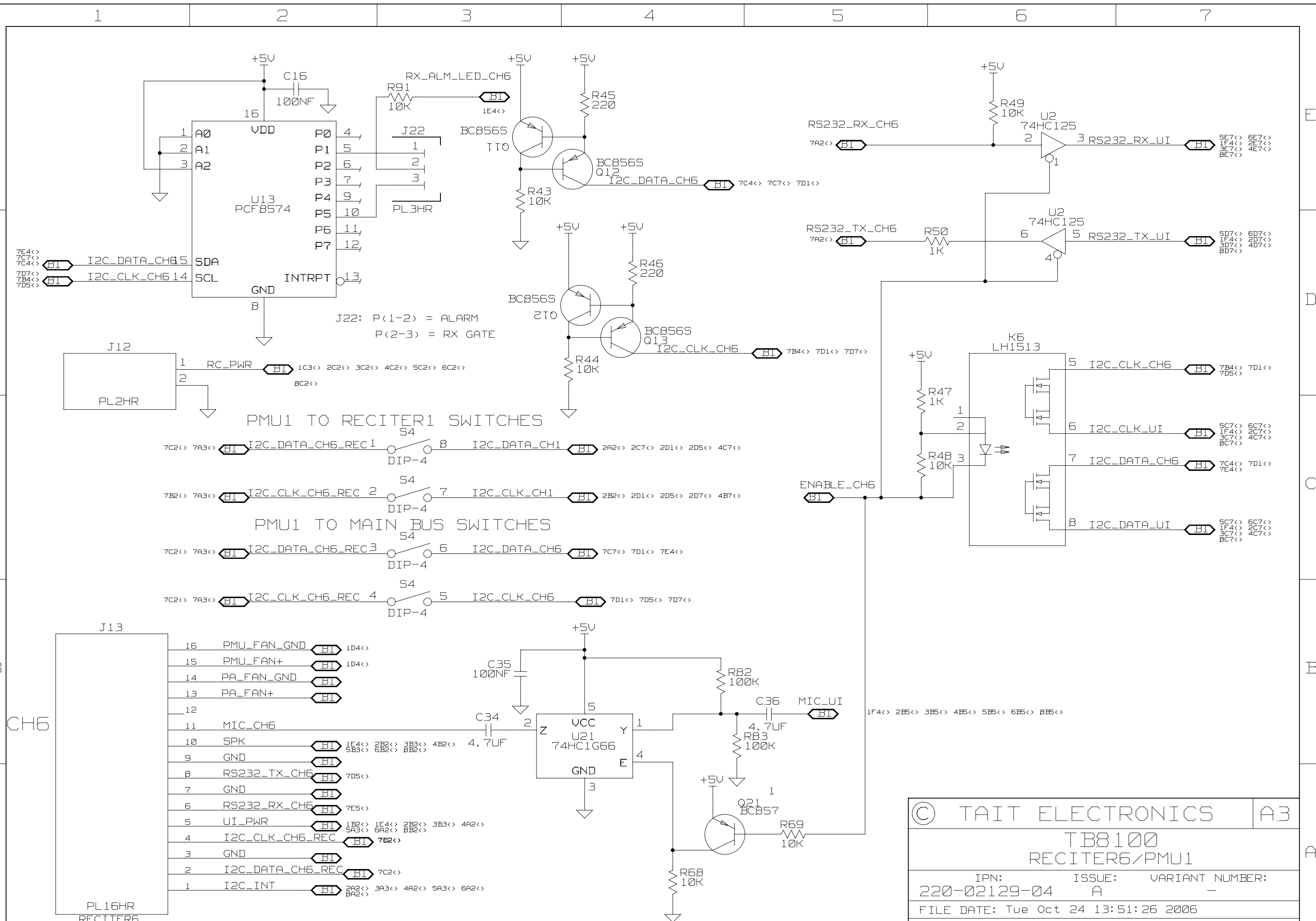
J21: P<1-2> = ALARM  
P<2-3> = RX GATE

PA2 TO RECITER2 SWITCHES  
I2C\_DATA\_CH5\_REC 1 S3 I2C\_DATA\_CH2 8  
I2C\_CLK\_CH5\_REC 2 S3 I2C\_CLK\_CH2 7  
I2C\_DATA\_CH5\_REC 3 S3 I2C\_DATA\_CH5 6  
I2C\_CLK\_CH5\_REC 4 S3 I2C\_CLK\_CH5 5

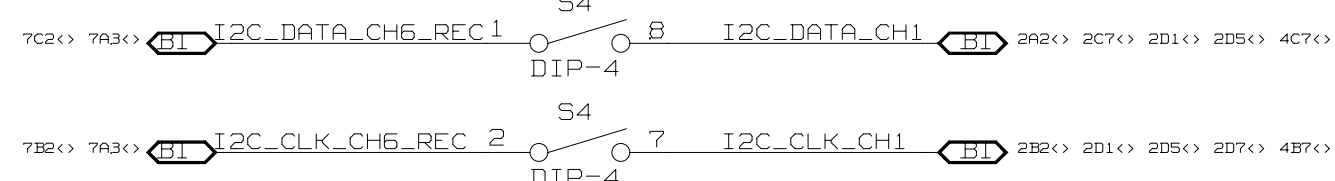
PA2 TO MAIN BUS SWITCHES  
I2C\_DATA\_CH5\_REC 3 S3 I2C\_DATA\_CH5 6  
I2C\_CLK\_CH5\_REC 4 S3 I2C\_CLK\_CH5 5

|                                     |                         |                         |
|-------------------------------------|-------------------------|-------------------------|
| © TAIT ELECTRONICS                  |                         | A.3                     |
| TB8100<br>RECITER5/PA2              |                         |                         |
| IPN:<br>220-02129-04                | ISSUE:<br>A             | VARIANT NUMBER:<br>-    |
| FILE DATE: Tue Oct 24 13:49:21 2006 |                         |                         |
| ENGINEER:<br>ALTON C                | FILE NAME:<br>220_02129 | SHEET NUMBER:<br>6 OF 8 |

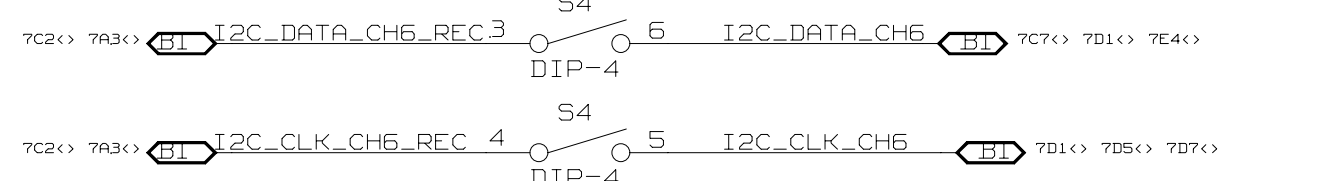
| REV/ISS | AMENDMENTS | DRAWN | CHKD | D. O. | APVD | DATE |
|---------|------------|-------|------|-------|------|------|
| 1       | 2          | 3     | 4    | 5     | 6    | 7    |



PMU1 TO RECITER1 SWITCHES

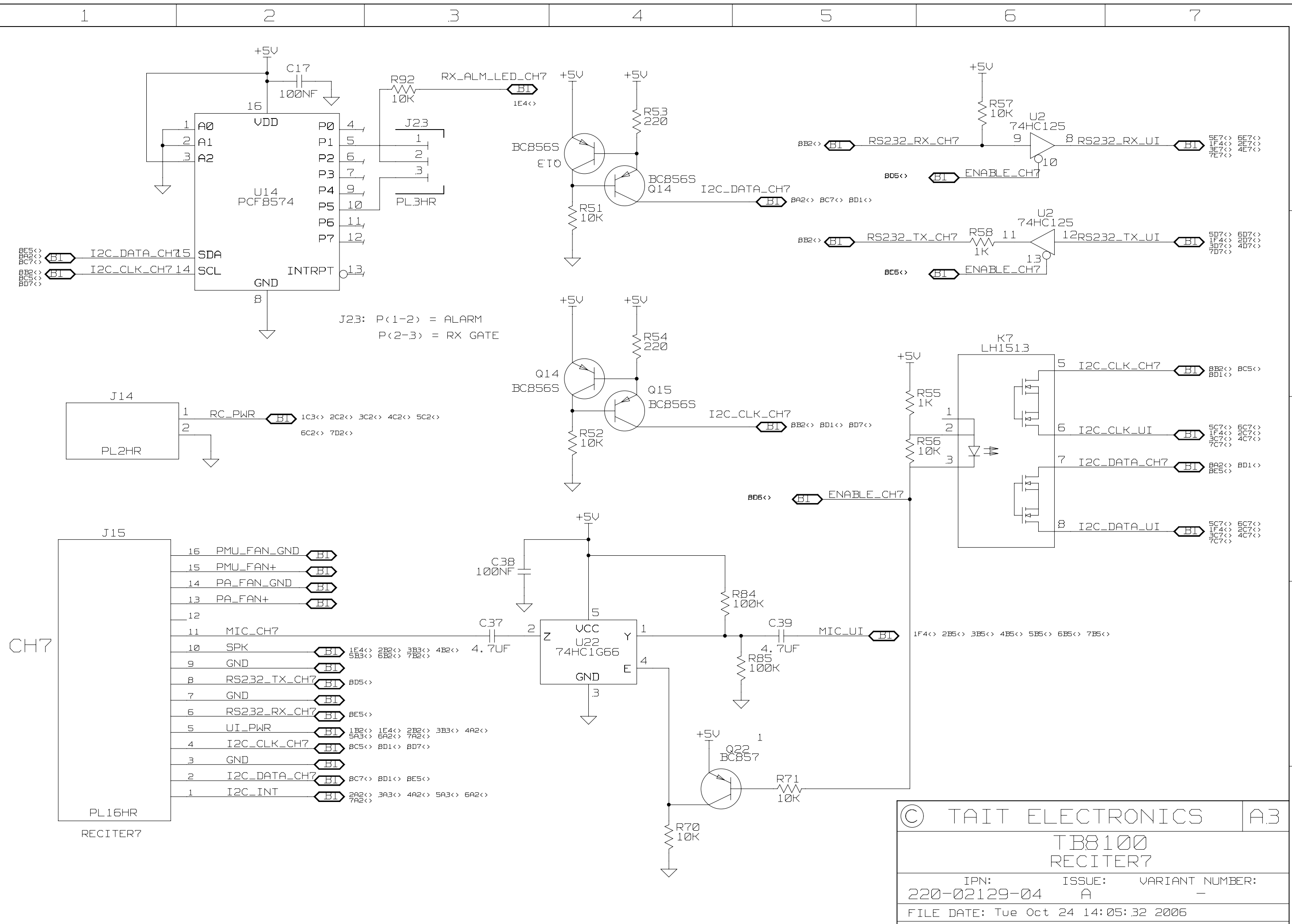


PMU1 TO MAIN BUS SWITCHES



|                                     |                         |                         |
|-------------------------------------|-------------------------|-------------------------|
| © TAIT ELECTRONICS                  |                         | A.3                     |
| TB8100<br>RECITER6/PMU1             |                         |                         |
| IPN:<br>220-02129-04                | ISSUE:<br>A             | VARIANT NUMBER:<br>-    |
| FILE DATE: Tue Oct 24 13:51:26 2006 |                         |                         |
| ENGINEER:<br>ALTON C                | FILE NAME:<br>220-02129 | SHEET NUMBER:<br>7 OF 8 |

| REV/ISS | AMENDMENTS | DRAWN | CHKD | D. O. | APVD | DATE |
|---------|------------|-------|------|-------|------|------|
| 1       | 2          | 3     | 4    | 5     | 6    | 7    |



J23: P<1-2> = ALARM  
P<2-3> = RX GATE

CH7

|                                     |                         |                         |
|-------------------------------------|-------------------------|-------------------------|
| © TAIT ELECTRONICS                  |                         | A.3                     |
| TB8100<br>RECITER7                  |                         |                         |
| IPN:<br>220-02129-04                | ISSUE:<br>A             | VARIANT NUMBER:<br>-    |
| FILE DATE: Tue Oct 24 14:05:32 2006 |                         |                         |
| ENGINEER:<br>ALTON C                | FILE NAME:<br>220_02129 | SHEET NUMBER:<br>8 OF 8 |

| REV/ISS | AMENDMENTS | DRAWN | CHKD | D.O. | APVD | DATE |
|---------|------------|-------|------|------|------|------|
| 1       | 2          | 3     | 4    | 5    | 6    | 7    |